



LITTLE BROTHER MODEL 2950

NOTE: SEE EXPLORER MODEL 2900 SERVICE MANUAL FOR ADDITIONAL TECHNICAL INFORMATION.

PARTS LIST

2951 BOARD

REFERENCE	ARP PART NUMBER	ARP/MFG NUMBER	DESCRIPTION
CR5-10	1200301	IN4148	DIODE, SIGNAL
Q1	1303001	2N3906	TRANSISTOR, PNP, GP
Z2	1601801	A2801-008/SL19988	IC, OP AMP, SELECTED
Q5	5600201	A2803-003-1	FET, N CHAN. SELECTED
R24	1000909	U201R103B	POT, TRIMMER, 10K
R31	1000921	U201R105B	POT, TRIMMER, 1M
R23	5701802	B2801-010-2	POT, ROTARY, 100K
R18,22	5700702	B2801-006-2	POT, SLIDE, 100K AUD
R27	5700701	B2801-006-1	POT, SLIDE, 1M AUD
C4,5	1100609	G-0-001-G-20-0	CAP. TANT. 1UF, 35V
S3	1902401	01-481-0006	SWITCH, SLIDE, DPDT
J6	2101302	16-511-10	SOCKET, DUAL IN LINE, 16 PIN

2952 BOARD

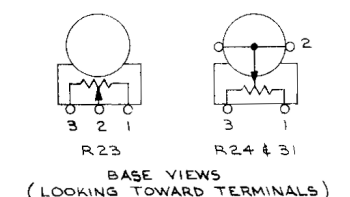
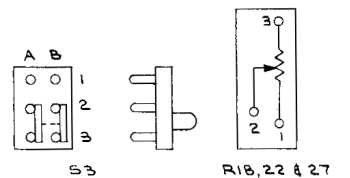
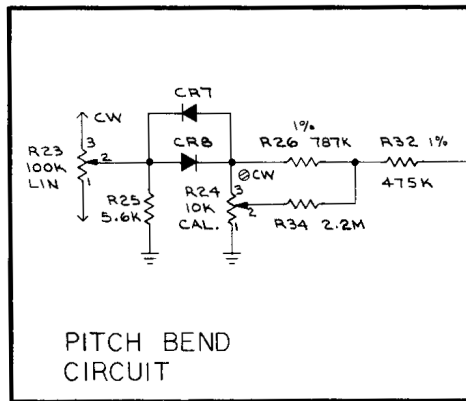
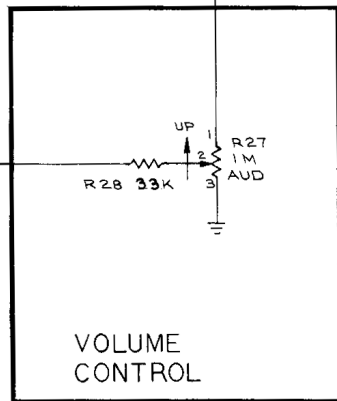
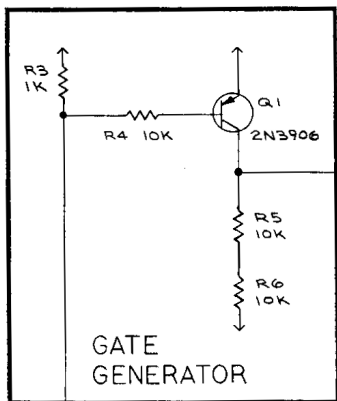
REFERENCE	ARP PART NUMBER	ARP/MFG NUMBER	DESCRIPTION
CR1-4	1200301	IN4148	DIODE, SIGNAL
Q1	1303001	2N3906	TRANSISOTR' PNP, GP
Z1	1400501	CA3086	I.C., TRANSISTOR ARRAY
Z2	5601801	A2801-008	IC, OP AMP, SELECTED
R13	1000915	U201R104B	POT, TRIMMER, 100K
C6,7,8	1100609	G-0-001-G-20-0	CAP, TANT, 1UF, 35V
C3,4	1100612	G-0-010-G-20-0	CAP, TANT, 10UF, 35V
E1-6	2101201	142A	JACKS, TINI-D

2953 BOARD

REFERENCE	ARP PART NUMBER	ARP/MFG NUMBER	DESCRIPTION
M1	4027-1	4027-1	VCO MODULE (OSCILLATOR)
CR1-4	1200301	IN4148	DIODE, SIGNAL
Q3,4	1302901	2N3904	TRANSISTOR, NPN, GP
Z1	1400901	CD4024AE	I.C. BINARY COUNTER, 7 BIT
Z2,3	5601801	A2801-008/SL19988	IC, OP AMP, SELECTED
Z5	5700601	B2900-001	IC, RESISOTR PACK
R43	5701803	B2801-010-3	POT, TRIMMER, 100K
R41,42	1000915	U201R104B	POT, TRIMMER, 100K
C9	1100609	G-0-001-G-20-0	CAP, TANT, 1UF, 35V
S1,6,7,8	1902701	02-481-0015	SWITCH, ROCKER, DPDT, IVORY
S2,3,4,5	1902702	02-481-0016	SWITCH, ROCKER, 4PDT, IVORY
FOR Z1	2101301	14-511-10	SOCKET, DUAL IN LINE, 14 PIN
J2	2101302	16-511-10	SOCKET, DUAL IN LINE, 16 PIN

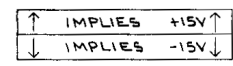
ARP INSTRUMENTS, INC.
320 Needham Street
Newton, Mass. 02164
617 965-9700

-15V J6-13



NOTES:

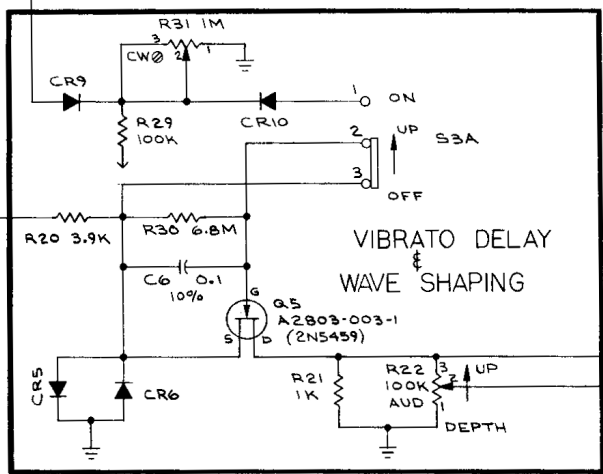
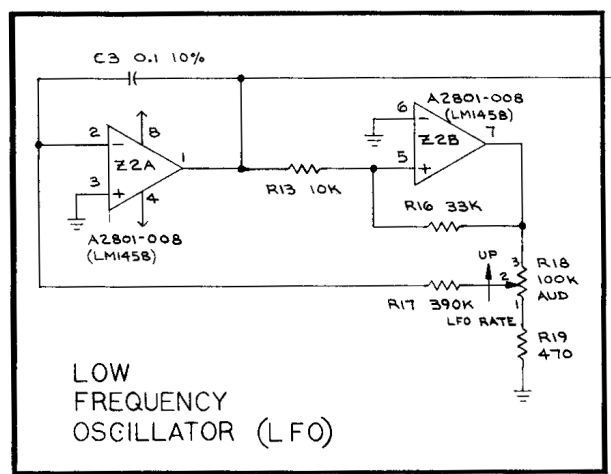
- UNLESS OTHERWISE SPECIFIED:
ALL RESISTOR VALUES ARE IN OHMS
ALL CAPACITOR VALUES ARE IN μ F
(P=PICOFARADS)
ALL DIODES ARE IN4148
- HIGHEST REF DES:
C6, CR10, J6, Q5, R34, S3 & Z2
- CONVENTION USED FOR
SUPPLY VOLTAGE CONNECTIONS



J6-10 VCA

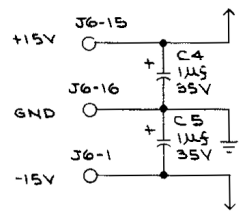
J6-3 PITCH BEND

J6-4 PULSE DRIVE

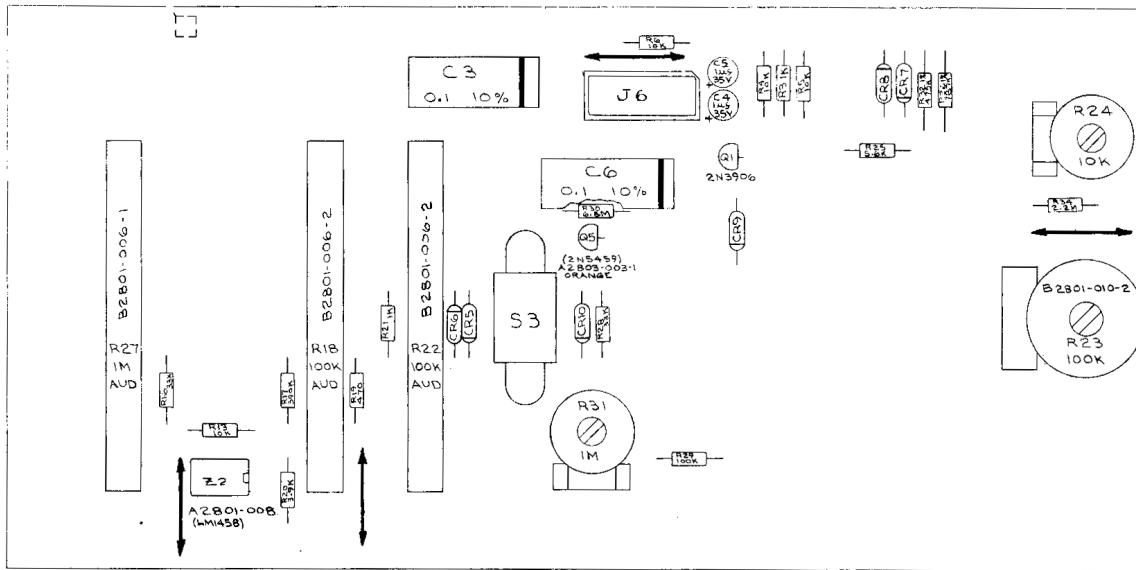


J6-12 LFO SINE

J6-2 VIBRATO



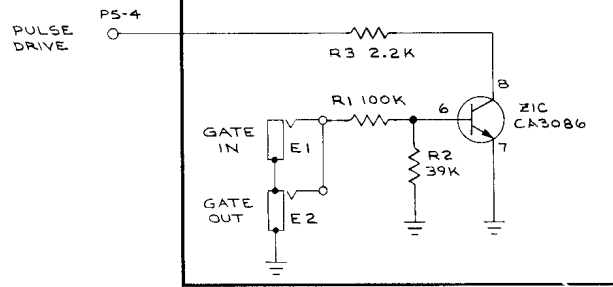
REV	DATE	BY	CHKD	APP
1				ARP
ARP INSTRUMENTS INC.				
27 APR 1991 004				
SCHEMATIC, P.C BOARD, EFFECTS				
REV	DATE	BY	CHKD	APP
1	4/15/91	AA	AA	AA
A 1102951-001				



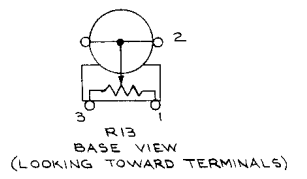
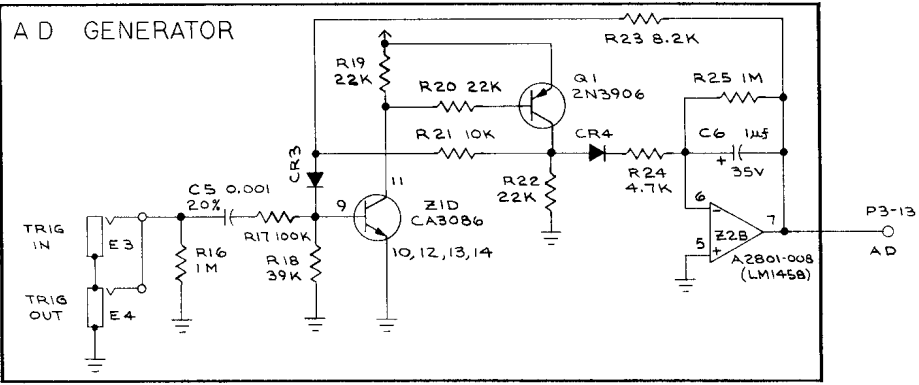
OR
 POLARITY OF
 C4 & C5

INSTUMENTS INC.	
AP-275-000	
PC BOARD ASSY.	
EFFECTS	
KC4775	AA 91125
TC 5-01	088720
A	D2951-002

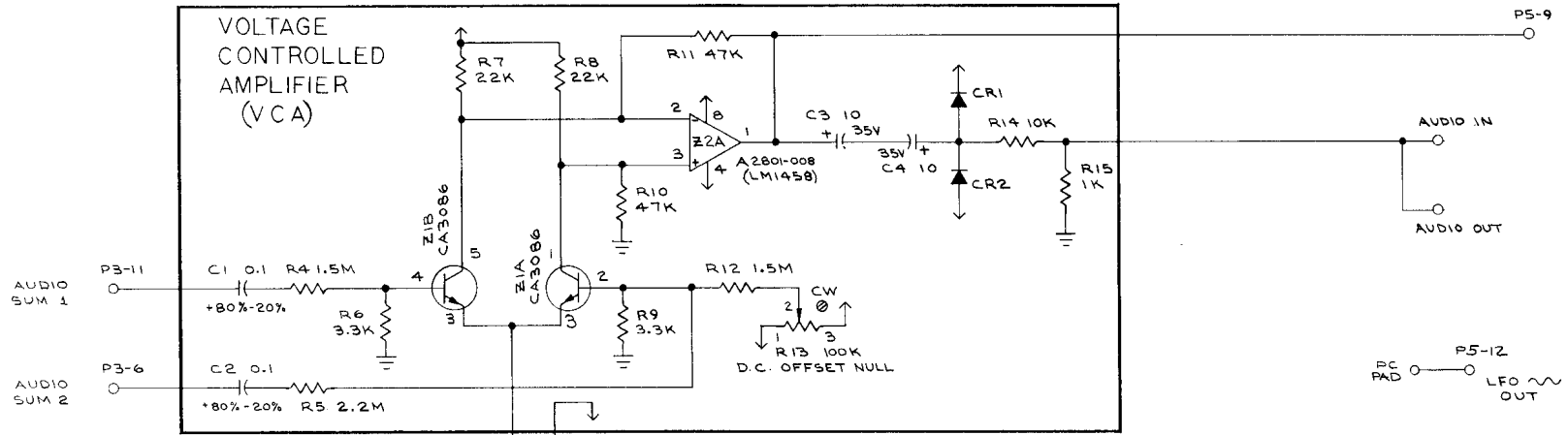
GATE CONDITIONER



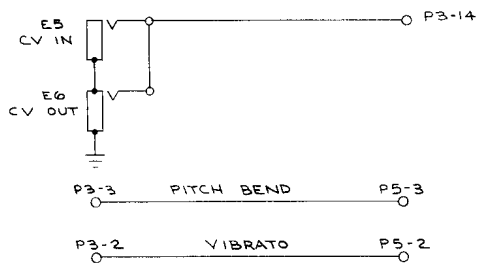
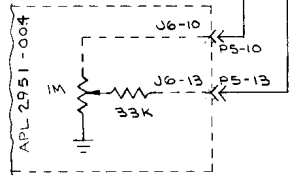
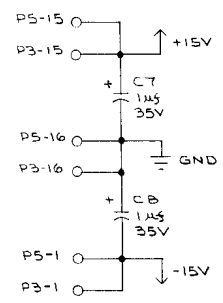
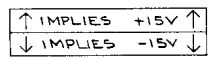
A D GENERATOR



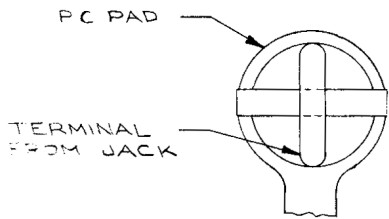
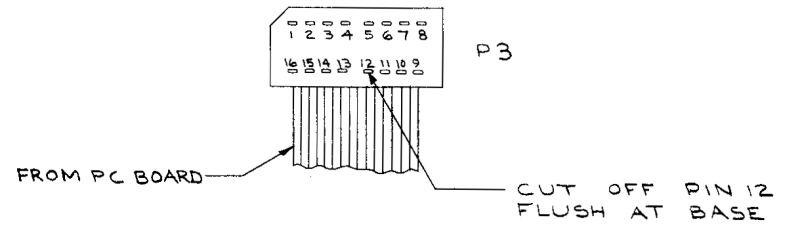
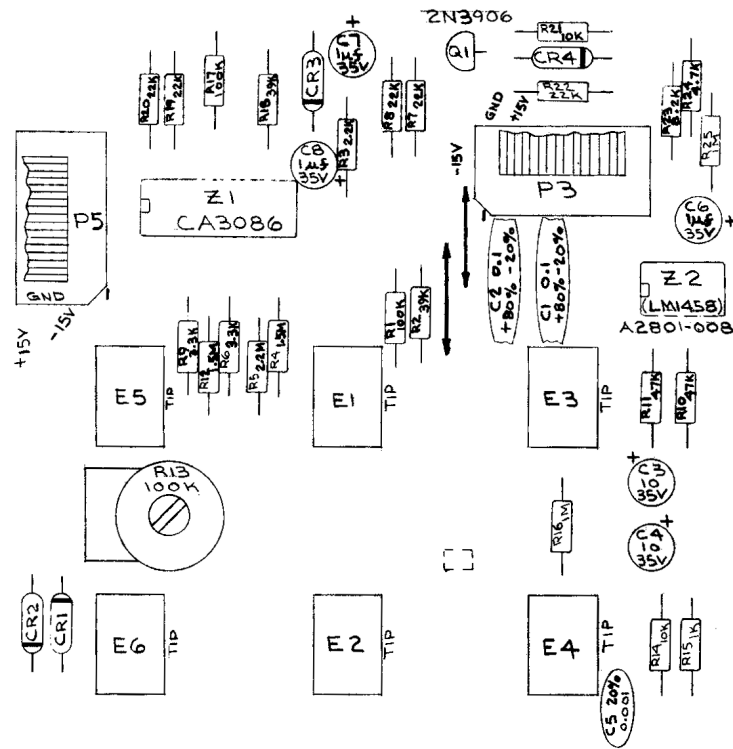
VOLTAGE CONTROLLED AMPLIFIER (VCA)



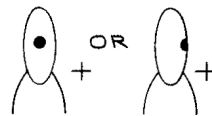
- NOTES:
1. UNLESS OTHERWISE SPECIFIED: ALL RESISTOR VALUES ARE IN OHMS ALL CAPACITOR VALUES ARE IN μ F (P = PICO FARADS)
 2. PINS 10, 12, 13 & 14 OF Z1 ARE TIED TOGETHER
 3. HIGHEST REF. DES; C8, CR4, E6, P5, Q1, R25, Z2
 4. CONVENTION USED FOR SUPPLY VOLTAGE CONNECTIONS.



APL 2952-005
SCHEMATIC, P.C. BOARD INTERFACE
KC 41175 1A 4/8/75 A D2952-001



TYPICAL WIRING FOR
TINI-D-JAX JACK TIPS
E1 THRU E6



POLARITY OF C3,4,6,7&8

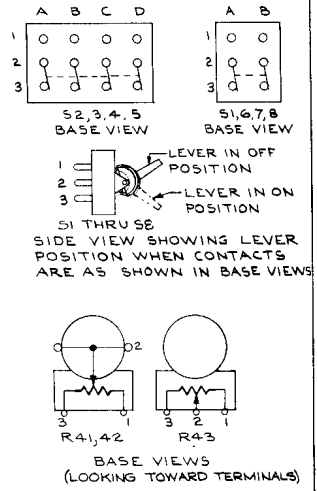
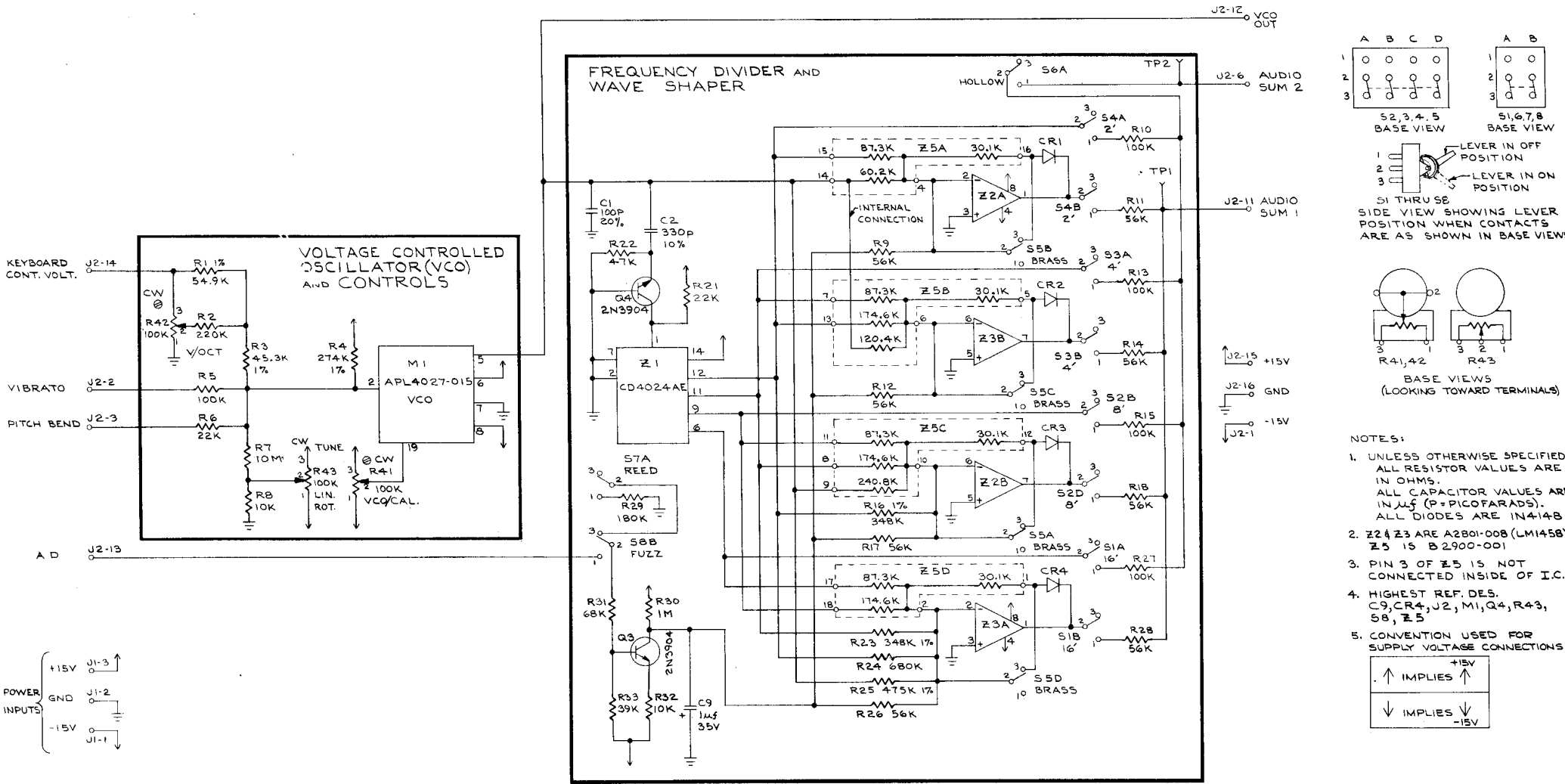
APL 2952-005

APL 2952-005

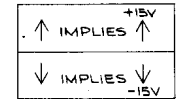
PC BOARD ASSY.
INTERFACE

KC 4-875 AA 1/30/75 A C2952-004

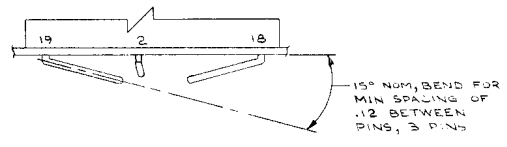
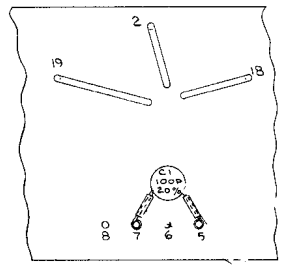
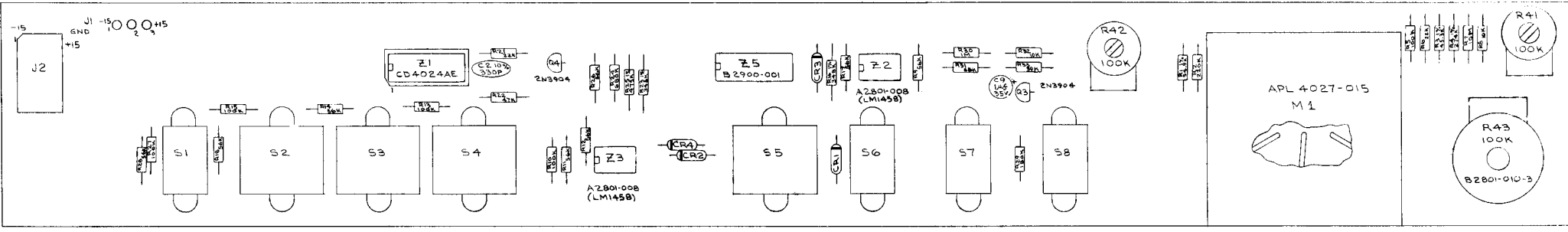
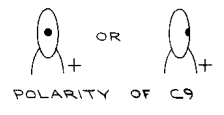
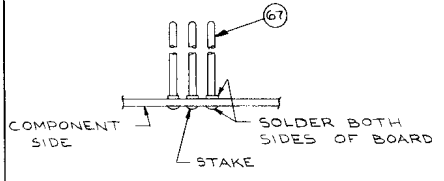
7-6-75 8/15-2-5 2/1



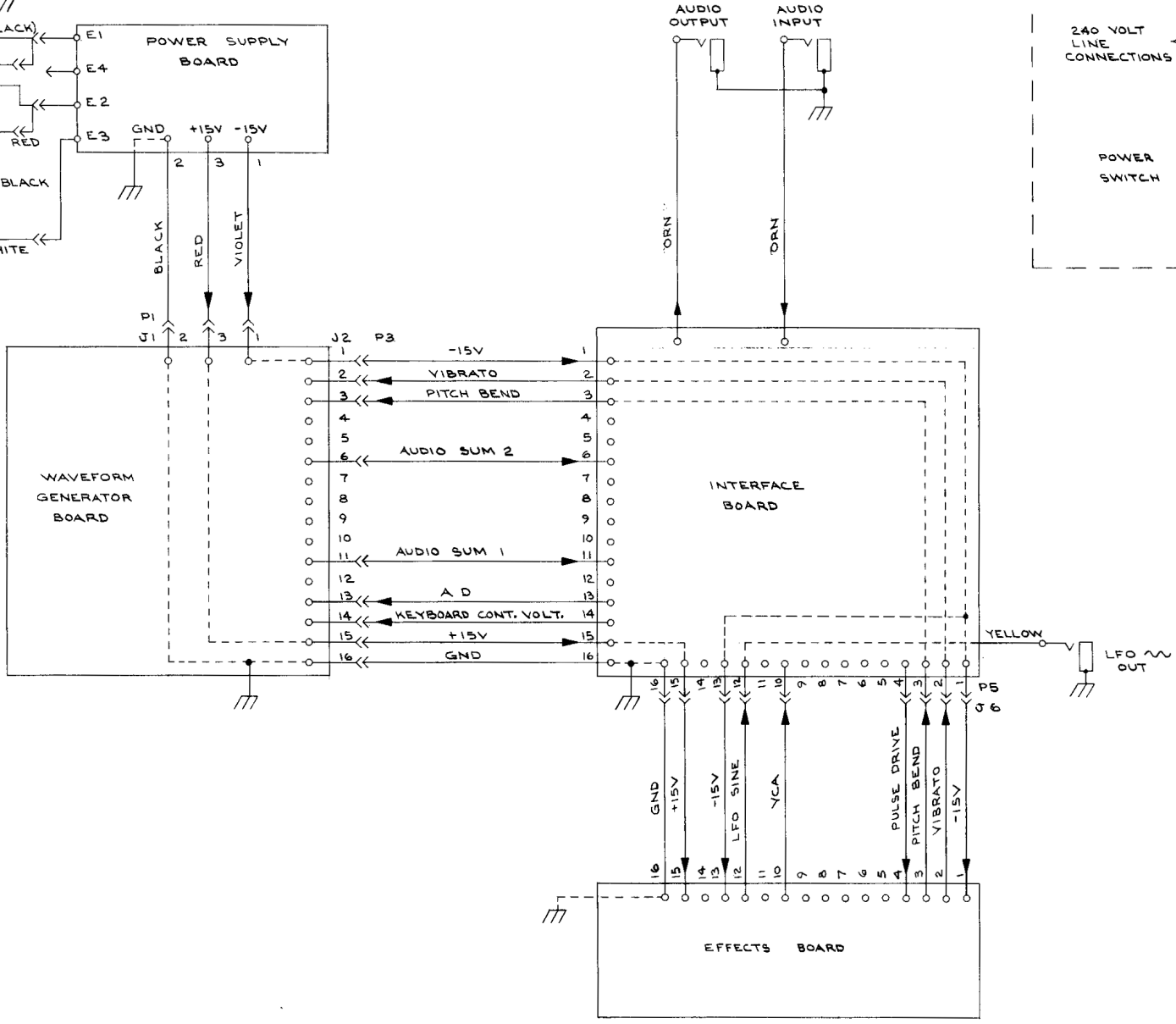
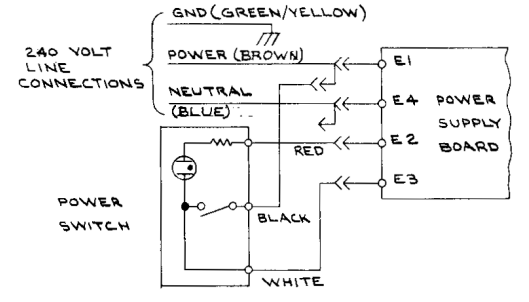
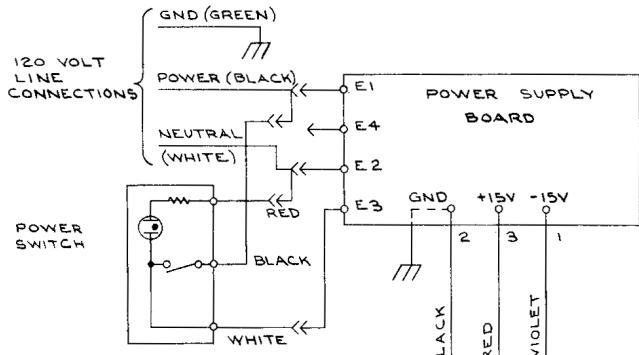
- NOTES:
- UNLESS OTHERWISE SPECIFIED: ALL RESISTOR VALUES ARE IN OHMS. ALL CAPACITOR VALUES ARE IN μ F (P=PICOFARADS). ALL DIODES ARE IN 4-14B
 - Z2, Z3 ARE A2801-008 (LM1458) Z5 IS B2900-001
 - PIN 3 OF Z5 IS NOT CONNECTED INSIDE OF I.C.
 - HIGHEST REF. DES. C9, CR4, J2, M1, Q4, R43, S8, Z5
 - CONVENTION USED FOR SUPPLY VOLTAGE CONNECTIONS



REV	DATE	BY	CHKD	APP
1				ASP
INSTRUMENTS INC.				
AP 2953-004 SCHEMATIC, P.C. BOARD, WAVEFORM GENERATOR				
WC	4-8-75	AA	5/1/75	A
17	5-7-75	285-7-4		



ASP INSTRUMENTS INC.	
AP-3353-001	
P.C. BOARD ASSY, WAVEFORM GENERATOR	
KC 4875 AA 5/1/75 A	1000000000
12-5-75	1000000000



UNLESS OTHERWISE SPECIFIED		Quantity	1
MATERIALS TO BE PURCHASED BY THE CONTRACTOR		Unit Price	
MATERIALS TO BE PROVIDED BY THE CONTRACTOR		Quantity	
MATERIALS TO BE PROVIDED BY THE CONTRACTOR		Unit Price	
INTERCONNECTION DIAGRAM, "LITTLE BROTHER"			
Quantity	Part Number	Description	Notes
1	AC 4-1575	TUNING	
1	16-5-75	250K	
		Part Number	02950-017
		Revision	1